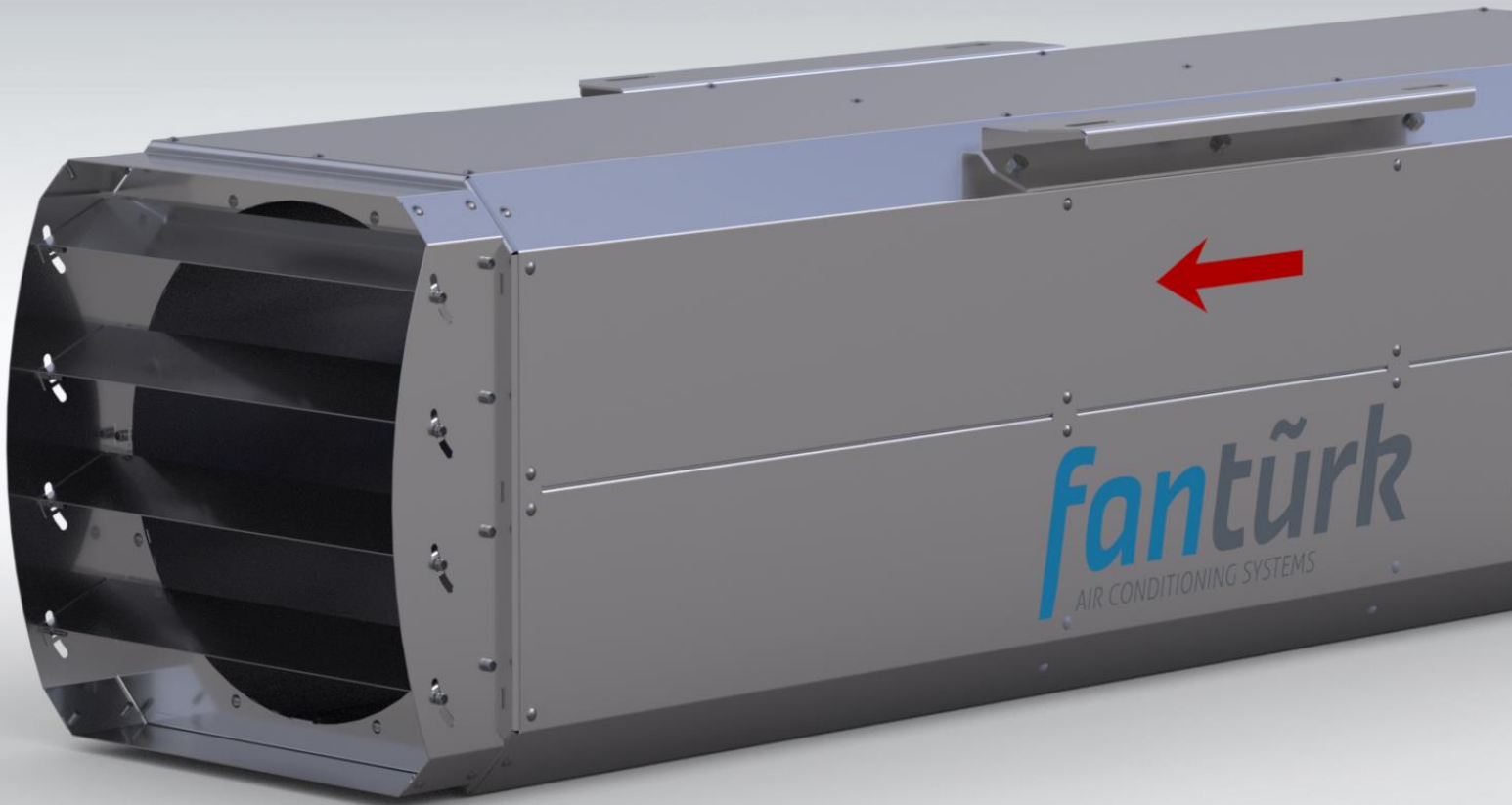




# ***Product Catalogue***



# J-FWA Axial Jet Fan



## General Features

*The products have fire-resistant certificate and tested for working for 2 hours at 400 °C in international accredited organizations according to EN 12101-3 standard.*

*It is manufactured between Ø315mm and Ø630mm diameters.*

*According to the project, uni-directional or reversible and two-speed or single-speed options are available.*

### **Fan Body**

*J-FWA Axial Jet Fan models are manufactured from high quality galvanized steel.*

### **Propeller**

*The propellers are made of special aluminum alloy with adjustable blade angles or ST 52 steel blades. According to the project, it can operate in the same performance in both blowing directions thanks to its reversible blade structure. Complies with international standards.*

### **Motor**

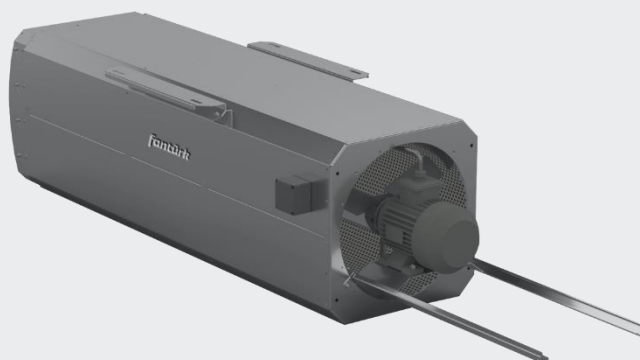
*It is manufactured as standard (380 V - 50 Hz) or other voltages and frequencies (400/415/440 V - 50 Hz) on request. As a standard, Class H, S1+S2, IP55 single-speed or double-speed motors with a resistance of 2 hours to 400 degrees or 2 hours to 300 degrees are used*

### **Accessories**

*In this series, the sound volume increases due to the high air outlet velocities and therefore jet fans are used as standard with the silencer.*

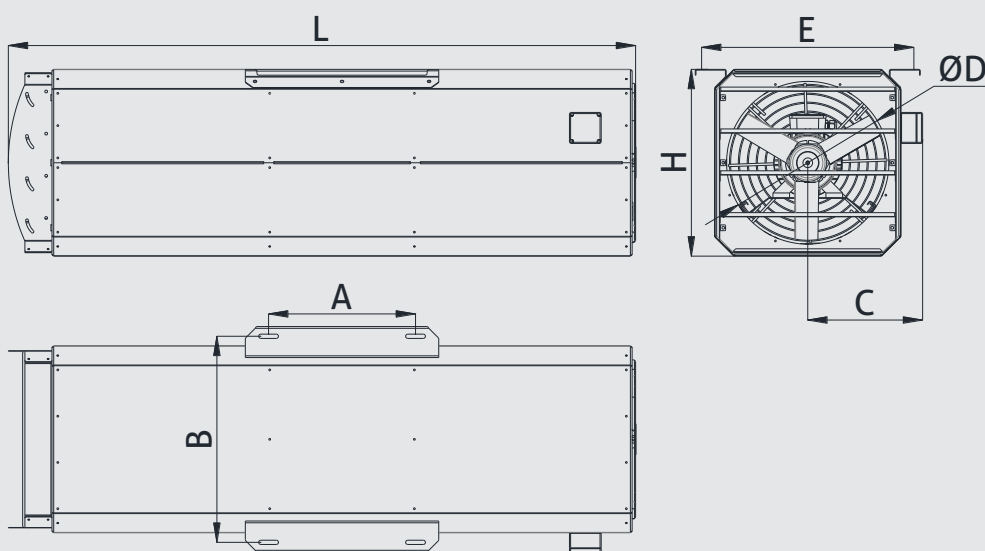
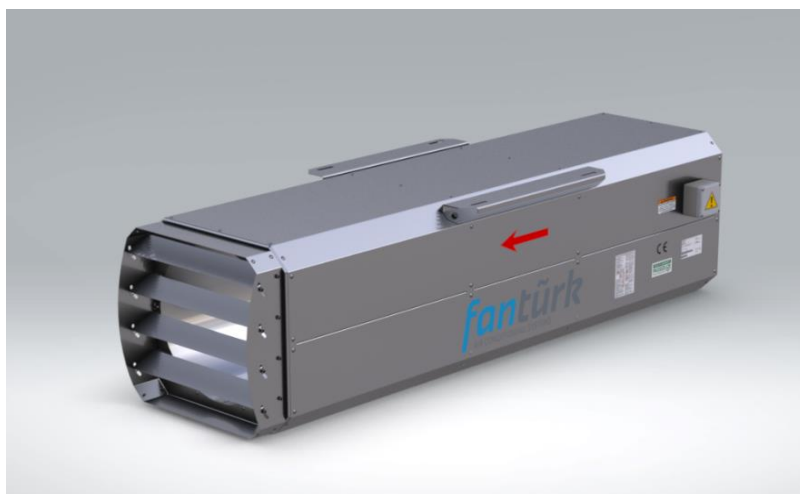
### **Sliding System**

*Thanks to its unique sliding system design, disassembly or maintenance time is minimized with easy intervention to the motor*



## Technical Specifications

# AXIAL JET FAN



MODEL	A	B	C	D	E	H	L	THRUST	MAX. FLOW RATE	POWER	MOTOR SPEED	MAX. AIR VELOCITY	SOUND PRESSURE LEVEL	WEIGHT
	mm	mm	mm	mm	mm	mm	mm	N	m <sup>3</sup> /h	kW	rpm	m/s	dB(A)	kg
J-FWA 315	380	445	255	335	495	395	1575	24	4500	0,8/0,2	3000/1500	16	69/54	65
J-FWA 355	380	485	275	375	535	435	1580	40	6500	1,1/0,25	3000/1500	18	74/59	85
J-FWA 400	380	530	295	420	580	480	1590	60	9000	1,5/0,37	3000/1500	20	75/60	100
J-FWA 450	380	580	320	470	630	530	1600	85	12000	2,2/0,5	3000/1500	21	82/67	140
J-FWA 500	380	630	345	520	680	580	1980	150	17500	3,8/1	3000/1500	25	90/75	170
J-FWA 560	380	690	375	580	740	640	2160	235	24000	6/1,5	3000/1500	28	91/76	230

*Headquarter: Beşevler Mah. Yıldırım Cad. No336 Nilüfer/Bursa Türkiye*

*Factory: Pamucak OSB Mah. 2. Cadde No: 14 Pazaryeri/Bilecik Türkiye*

*T: 90(224)482 2969 E: info@fanturk.com.tr*

*fanturk.com.tr*