



Product Catalogue



R-APA Radial Unit Heater



Technical Specifications

RADIAL UNIT HEATER

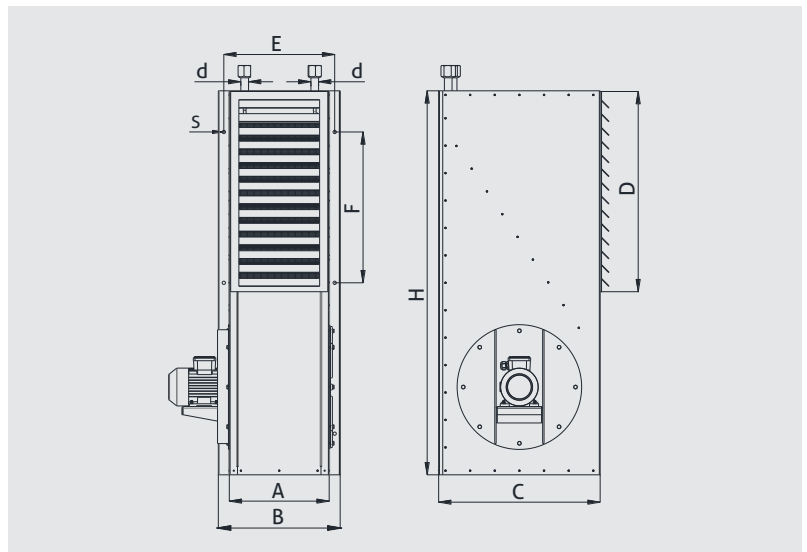
R-APA Series radial unit heaters are the ideal fans to meet the heating needs of high ceiling areas. Thanks to their compact construction, they can be mounted directly on the wall. R-APA radial units have high performance, trouble-free operation.

As a standard, with 90/70 °C hot water working regime, produced in the capacity of 5.000 –60.000 kcal/h. Upon request, can be produced according to working conditions with superheated water or steam.

Made of high quality corrosion resistant galvanized steel. Directly coupled backward curved bladed radial fan is used for air blowing. Heater coil is manufactured as copper pipe aluminum finned. It is manufactured as standard (380 V - 50 Hz) or other voltages and frequencies. Motors can be single-speed or double speed and have Class H, S1, IP55 insulation.

Usage Areas

It can be used in closed areas, warehouses, hangars, workshops, gyms, garages, production facilities with a ceiling height exceeding 4m.



| MODEL | A | B | C | D | E | F | H | S | d | VOLTAGE | FREQUENCY | MOTOR POWER | MOTOR SPEED | FLOW RATE | HEATER CAPACITY | SOUND PRESSURE LEVEL | WEIGHT | |
|----------|-----|-----|-----|------|-----|-----|------|----|------|---------|-----------|-------------|-------------|-------------------|-----------------|----------------------|--------|-----|
| | mm | mm | mm | mm | mm | mm | mm | mm | mm | V | Hz | kW | rpm | m ³ /h | kcal/h | kW | dBa | kg |
| R-APA-5 | 260 | 340 | 520 | 510 | 300 | 320 | 940 | 12 | ¾" | 380 | 50 | 0,25 | 1380 | 1300 | 5000 | 5,8 | 72 | 66 |
| R-APA-6 | 260 | 340 | 520 | 510 | 300 | 320 | 940 | 12 | ¾" | 380 | 50 | 0,25 | 1380 | 1300 | 6000 | 7,0 | 72 | 66 |
| R-APA-8 | 260 | 340 | 520 | 510 | 300 | 320 | 940 | 12 | ¾" | 380 | 50 | 0,25 | 1380 | 1300 | 8000 | 9,3 | 72 | 78 |
| R-APA-10 | 260 | 340 | 520 | 510 | 300 | 320 | 940 | 12 | ¾" | 380 | 50 | 0,25 | 1380 | 1300 | 10000 | 11,6 | 72 | 78 |
| R-APA-12 | 350 | 430 | 520 | 590 | 390 | 420 | 1135 | 12 | 1" | 380 | 50 | 0,25 | 1380 | 2200 | 12000 | 14,0 | 74 | 96 |
| R-APA-18 | 350 | 430 | 520 | 590 | 390 | 420 | 1135 | 12 | 1" | 380 | 50 | 0,25 | 1380 | 2200 | 16000 | 18,6 | 74 | 116 |
| R-APA-20 | 350 | 430 | 520 | 590 | 390 | 420 | 1135 | 12 | 1" | 380 | 50 | 0,25 | 1380 | 2200 | 20000 | 23,3 | 74 | 133 |
| R-APA-24 | 365 | 445 | 590 | 730 | 405 | 550 | 1400 | 12 | 1" | 380 | 50 | 0,37 | 1390 | 3300 | 24000 | 27,9 | 75 | 149 |
| R-APA-28 | 365 | 445 | 590 | 730 | 405 | 550 | 1400 | 12 | 1" | 380 | 50 | 0,37 | 1390 | 3300 | 28000 | 32,6 | 75 | 149 |
| R-APA-32 | 365 | 445 | 590 | 730 | 405 | 550 | 1400 | 12 | 1" | 380 | 50 | 0,37 | 1390 | 3300 | 32000 | 37,2 | 75 | 172 |
| R-APA-40 | 455 | 530 | 640 | 1010 | 490 | 690 | 1680 | 12 | 1 ¼" | 380 | 50 | 0,75 | 1370 | 5300 | 40000 | 46,5 | 76 | 223 |
| R-APA-50 | 455 | 530 | 640 | 1010 | 490 | 690 | 1680 | 12 | 1 ¼" | 380 | 50 | 0,75 | 1370 | 5300 | 50000 | 58,1 | 76 | 261 |
| R-APA-60 | 455 | 530 | 640 | 1010 | 490 | 690 | 1680 | 12 | 1 ¼" | 380 | 50 | 0,75 | 1370 | 5300 | 60000 | 69,8 | 76 | 265 |

Headquarter: Beşevler Mah. Yıldırım Cad. No336 Nilüfer/Bursa Türkiye

Factory: Pamucak OSB Mah. 2. Cadde No: 14 Pazaryeri/Bilecik Türkiye

T: 90(224)482 2969 E: info@fanturk.com.tr

fanturk.com.tr